

FEATURES

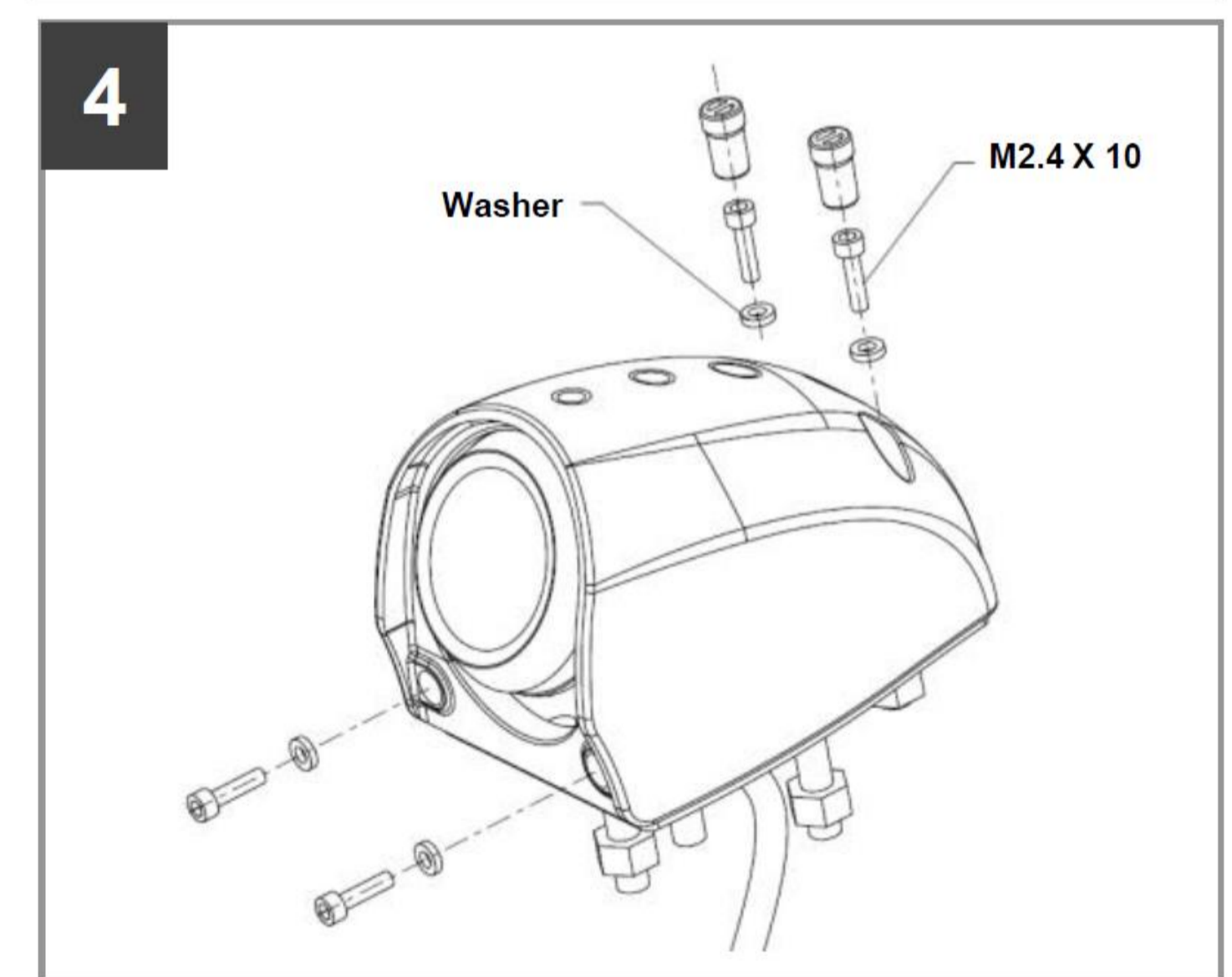
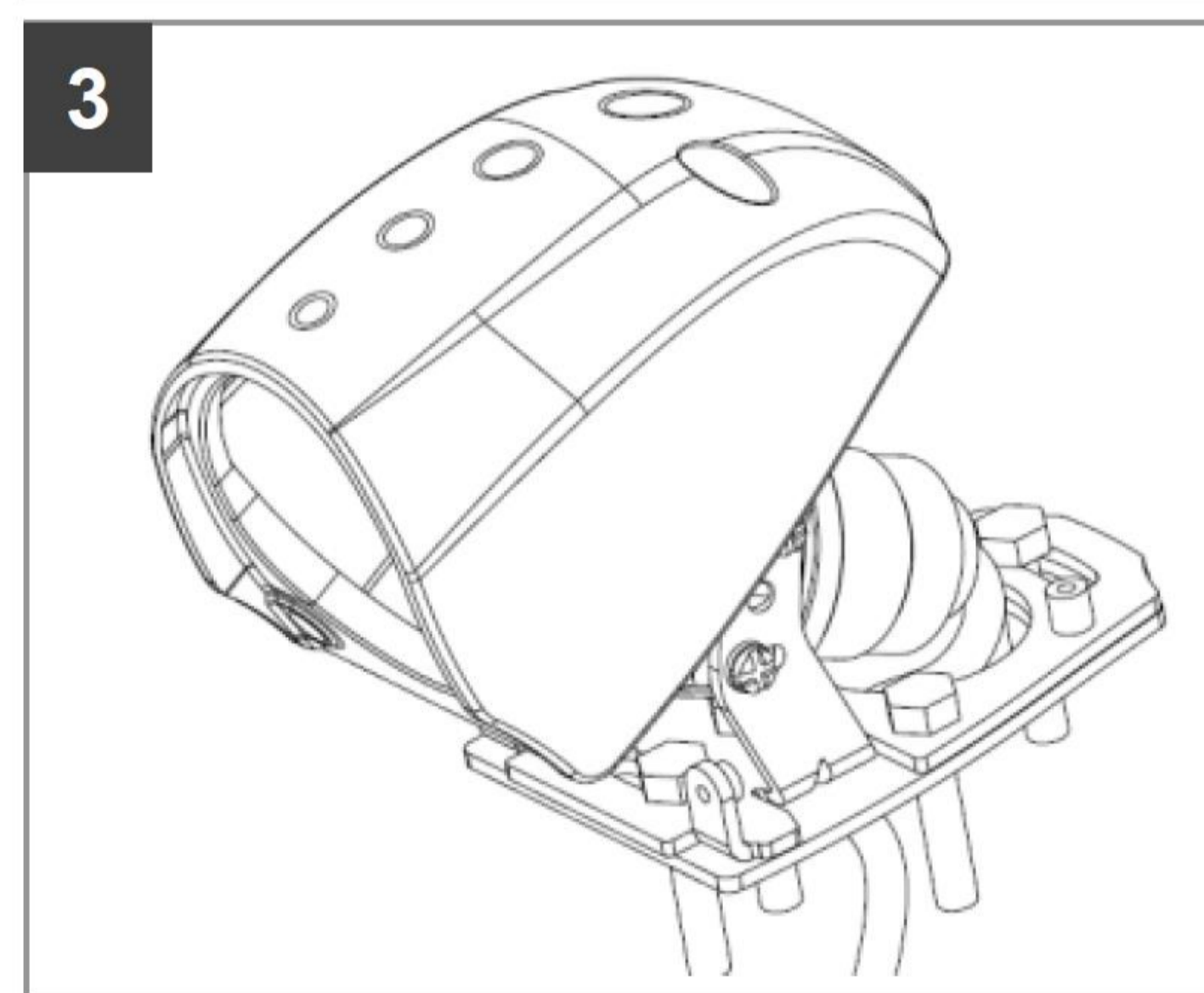
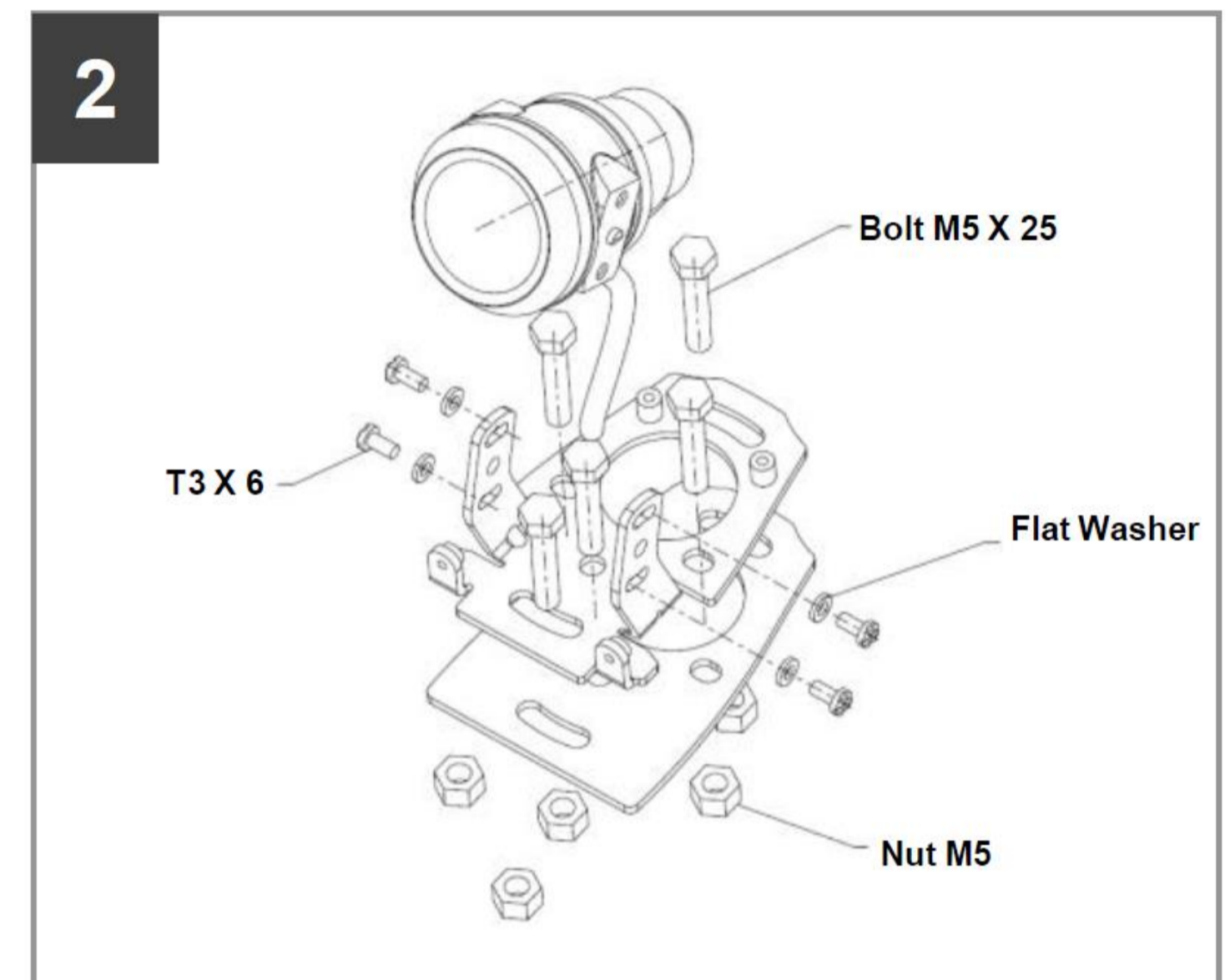
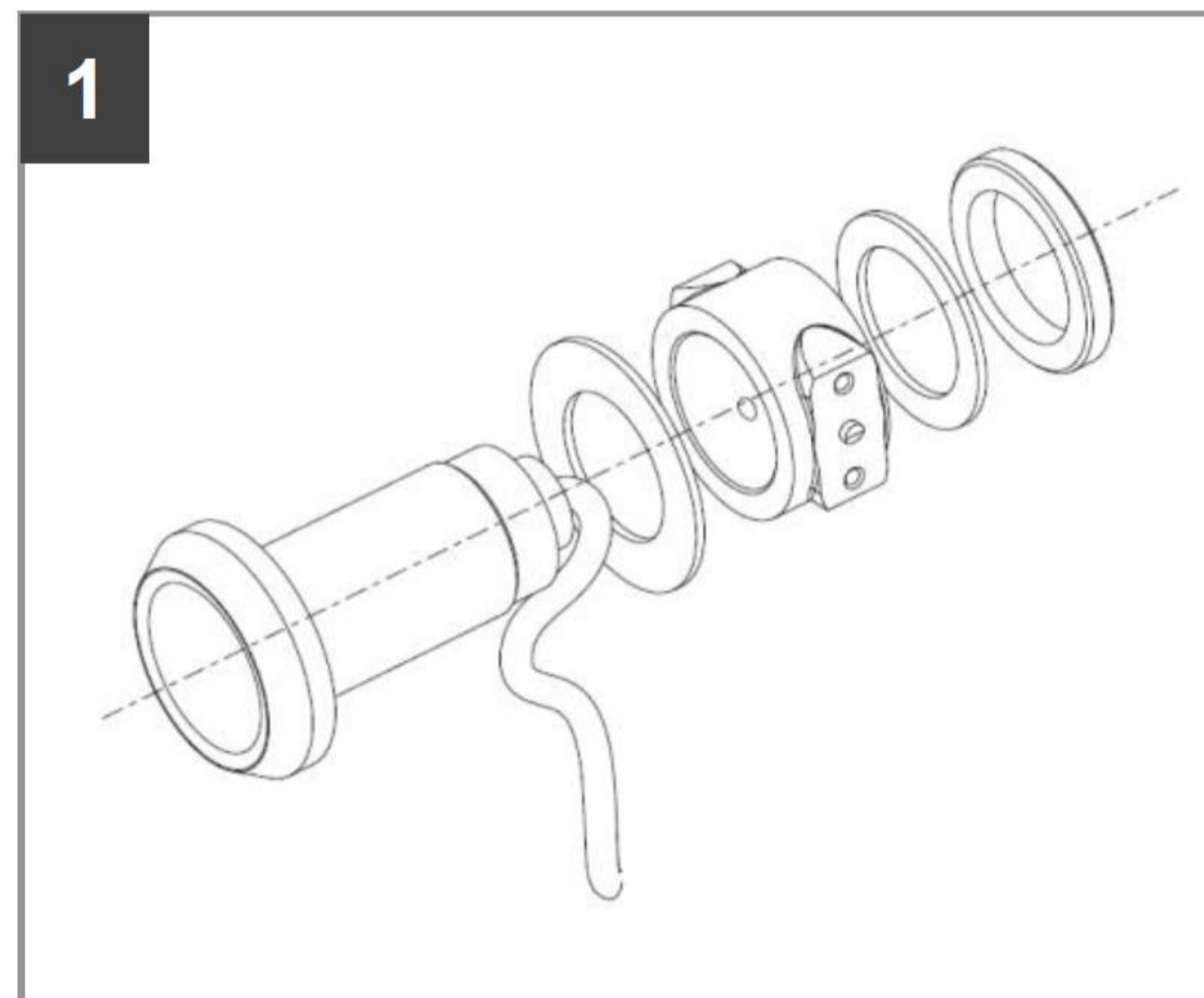
- Side view mount bracket for MXN12 camera series
- Suitable for various applications
- Easy Installation
- Aerodynamic and fashionable design
- Robust housing
- Adjustable viewing direction
- Stainless steel “bottom bracket” & “screw kits”



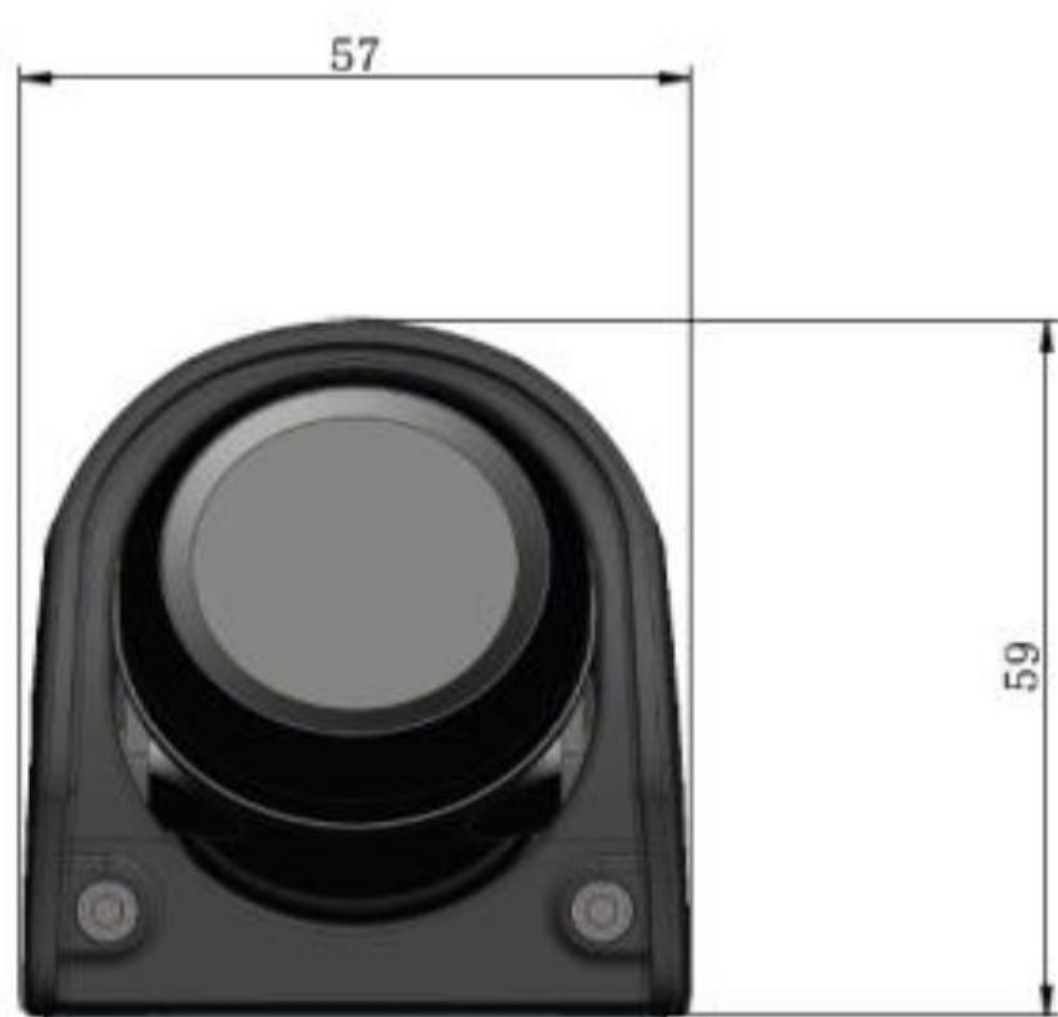
Camera Installation

- **Screw kit**
 - Screw T3 x 6 (4)
 - Flat Washer (for T3 x 6) (4)
 - Bolt M5 x 25 (5)
 - Nut M5 (5)
 - Screw M4 x 24 (5)
 - Screw M2.5 x 10 (4)
 - Washer (for M2.5 x 10) (4)

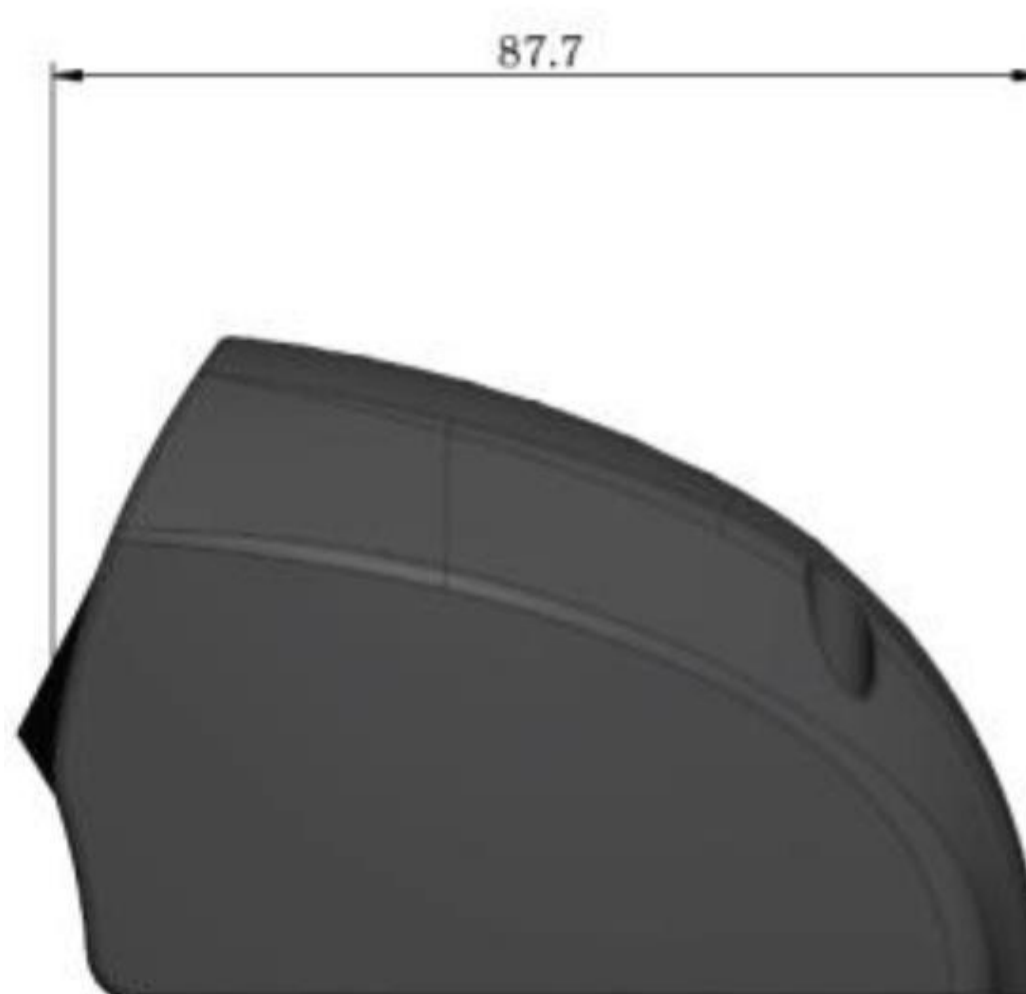
- **Compatible MXN12 cameras (optional):**
 - MXN12C - 130 degree lens angle
 - MXN12CW - 160 degree lens angle



Dimensions



(mm)



< Camer angle adjustment >

